



Features:

- No UV or IR light radiation.
- Provide 360° beam angles.
- Easy Installation: Using Existing E11 Base Fixture.
- Low Power Consumption: Less than 3 Watts.
- Long lifetime: 25000 hours (L₇₀).
- Sturdy Construction:
 - PC and Ceramics lamp Shell.
- High CRI: 70-85.
- Correlated Color Temperature: 2700-6500K.
- Operating temperature: -20°C~+60°C.
- 220V AC input.
- LED Type: 2835 LED/51PCS.

Benefits:

- Energy Cost Savings:
Over 60% Compared to Incandescent.
- Solid-State:
High-Shock & High-Vibration Resistant,
Both Electrical and Mechanical
- Energy Cost Savings:
- Eco-Friendly:
No Mercury, No Lead Content
- No Hazardous Emissions:
No UV or IR Radiation
- Constant Light Output:
Even Lighting, Non-Halation

Applications:

- Track Lighting
- Accent / Spot Lighting
- Display / Cabinet / Kiosk Lighting
- Architectural Lighting
- Art Gallery and Museum Lighting
- Other Lighting

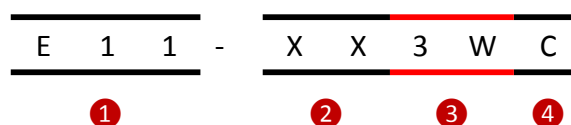
Product Specifications:

Lens	PC
Lamp Shell	Ceramics
Input Voltage	220V AC
Base Type	E11 Base
Wattage	3W
Power Factor	PF \geq 0.7
Operating frequency	50-60Hz
Operating Temperature	-20°C ~ +60°C
Storage Temperature	-30°C ~ +60°C
Net Weight per piece (Kg)	0.014Kg
Certifications	RoHS Compliant
Size	Ø16*54mm

Product Selection Guide:

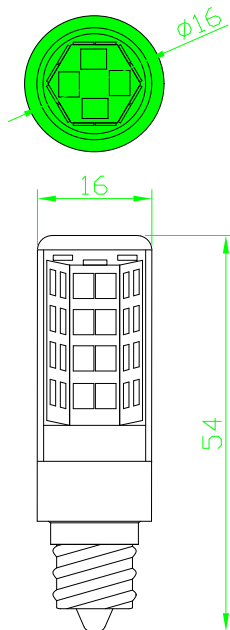
Part No.	Beam Angle	Total Lumens	CCT	Color	CRI
E11-WW3WC	360°	300±5%	2700-3500K	Warm White	--
E11-W3WC	360°	330±5%	6000-6500K	White	--

1



①	E11:	Bulb Light
②	XX:	W-White WW- Warm White
③	3W:	The LED power is 3W
④	C:	AC220V

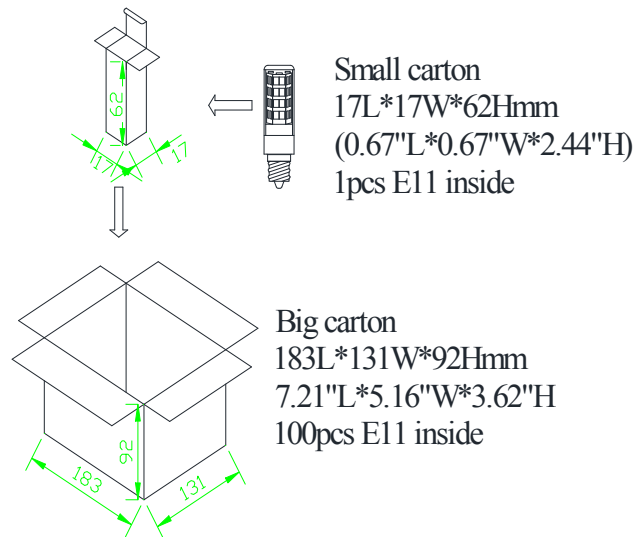
Product Dimensions:



Notes:

1. All dimensions unit in mm
2. Tolerances are $\pm 0.5\text{mm}$ unless otherwise noted.

Package Dimension:



Installation Instructions and Warnings:

- Turn off power before inspection, installation, or removal.
- Not for use where exposed to the weather
- Do not use in totally enclosed fixtures.
- Not for use with dimmers.
- Please make sure to use a suitable adapter. Please mind the minimum load of your adapter.

Notes:

The part number, type, and specifications mentioned in this document are subject to future change and improvement without notice. Before production usage customer should refer to the latest datasheet for the updated specifications.