



Features:

- Easy Installation.
- Low Power Consumption: Less than 0.6 Watts.
- Long lifetime: 25000 hours (L₇₀).
- Operating temperature: -20°C~+60°C.
- Solar panel: 5.5V 1.5W (polysilicon).
- Lithium battery: 3.7V 2200mAh .
- Life time: 8 to 10H.
- 3.7V DC input.
- Waterproof:IP65.
- LED type:5mm UV LED/4PCS.

Benefits:

- Energy Cost Savings:
Over 60% Compared to Incandescent.
- Solid-State:
High-Shock & High-Vibration Resistant,
Both Electrical and Mechanical
- Energy Cost Savings:
- Eco-Friendly:
No Mercury, No Lead Content
- No Hazardous Emissions:
No UV or IR Radiation
- Constant Light Output:
Even Lighting, Non-Halation

Applications:

- Lawn
- Park
- Patio
- Other

Product Specifications:

Input Voltage	3.7V DC
IP	IP65
Wattage	0.6W
Power Factor	--
Operating frequency	--
Operating Temperature	-20°C ~ +60°C
Storage Temperature	-30°C ~ +70°C
Net Weight per piece (Kg)	0.545KG
Certifications	RoHS Compliant

Product Selection Guide:

Part No.	Beam Angle	Total Lumens	CCT/ wavelength	Color	CRI
IL-0.6WK-SL	--	--	390-395nm	UV	--



Insecticidal light LED Lamp Series

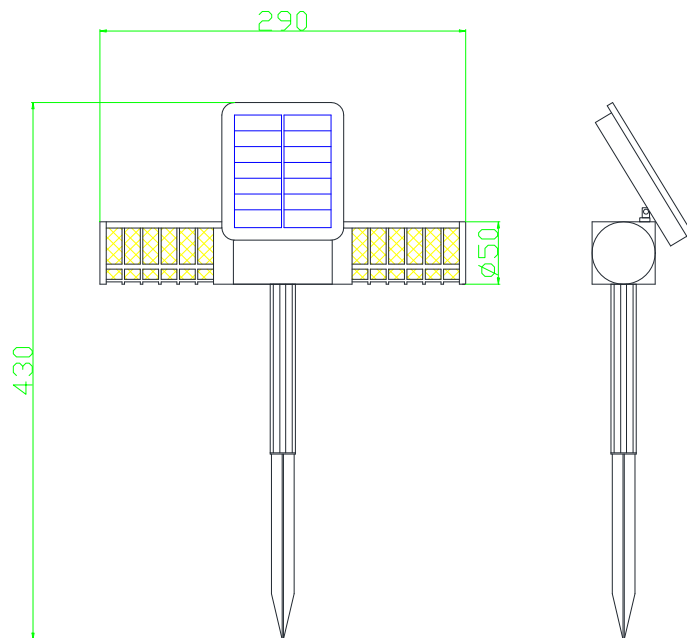
Data Sheet

IL-0.6WK-SL

DC 3.7V, 0.6W

①	IL:	Product Type
②	0.6W:	The single LED power is 0.6W
③	K:	DC 3.7V
④	SL:	Solar lights

Product Dimensions:

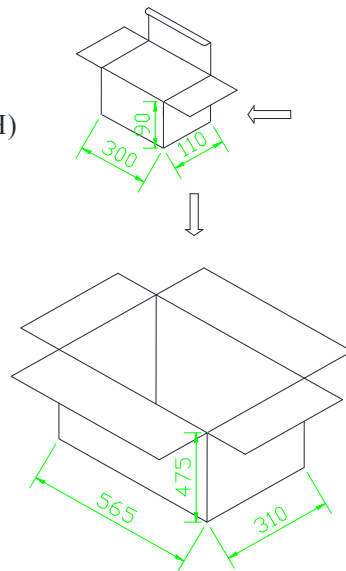


Notes:

1. All dimensions unit in mm
2. Tolerances are $\pm 0.5\text{mm}$ unless otherwise noted.

Package Dimension:

Small carton
300L*110W*90Hmm
(11.81"L*4.33"W*3.54"H)
1pcs light inside



Big carton
565L*310W*475Hmm
22.24"L*12.21"W*18.7"H
25pcs Small carton inside

Installation Instructions and Warnings:

- Turn off power before inspection, installation, or removal.
- Not for use where exposed to the weather
- Do not use in totally enclosed fixtures.
- Not for use with dimmers.
- Please make sure to use a suitable adapter. Please mind the minimum load of your adapter.

Notes:

The part number, type, and specifications mentioned in this document are subject to future change and improvement without notice. Before production usage customer should refer to the latest datasheet for the updated specifications.