



Features:

- No UV or IR light radiation.
- Provide 180° beam angles.
- Easy Installation:
 - Using Existing 2G11 Fixture.
- Low Power Consumption: Less than 8 Watts.
- Long lifetime: 25000 hours (L₇₀).
- Sturdy Construction:
 - Aluminium and PC Shell.
- High CRI: 70-85.
- Correlated Color Temperature: 2700-6500K.
- Operating temperature: -20°C~+60°C.
- 85-265V AC input.
- LED Type : 2835 LED/48PCS .

Benefits:

- Energy Cost Savings:
 - Over 60% Compared to Incandescent.
- Solid-State:
 - High-Shock & High-Vibration Resistant, Both Electrical and Mechanical
- Energy Cost Savings:
- Eco-Friendly:
 - No Mercury, No Lead Content
- No Hazardous Emissions:
 - No UV or IR Radiation
- Constant Light Output:
 - Even Lighting, Non-Halation

Applications:

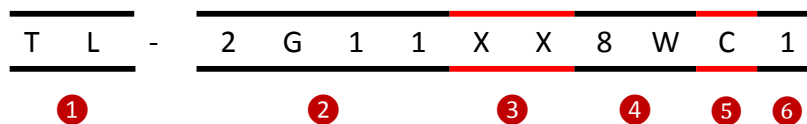
- Conferences/meeting rooms/show rooms/ showcases Lighting
- Villa/Residential houses Lighting
- Architectural Lighting
- Art Gallery and Museum Lighting
- Factories/plants/warehouses/ offices Lighting
- Other Lighting

Product Specifications:

| | |
|---------------------------|------------------|
| Lamp Shell | Aluminium And PC |
| Input Voltage | 85-265V AC |
| Wattage | 8W |
| Power Factor | PF \geq 0.8 |
| Operating frequency | 50-60Hz |
| Operating Temperature | -20°C ~ +60°C |
| Storage Temperature | -30°C ~ +60°C |
| Net Weight per piece (Kg) | 0.12KG |
| Certifications | RoHS Compliant |
| Size | 42.7*29.5*225mm |

Product Selection Guide:

| Part No. | Beam Angle | Total Lumens | CCT | Color | CRI |
|---------------|------------|---------------|------------|------------|-----------|
| TL-2G11WW8WC1 | 180° | 700 \pm 10% | 2700-3500K | Warm White | \geq 80 |
| TL-2G11W8WC1 | 180° | 800 \pm 10% | 6000-6500K | White | \geq 70 |



2G11 LED Tube Light Lamp Series

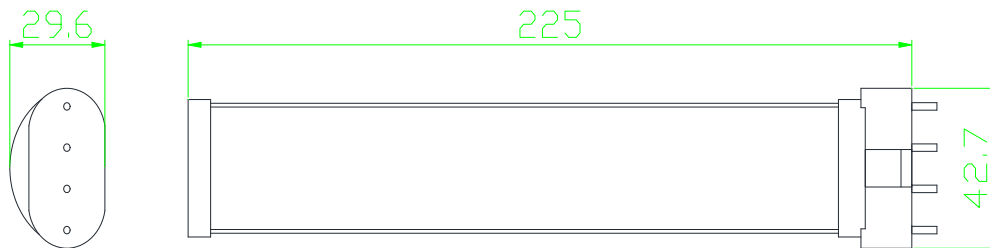
Data Sheet

TL-2G11XX8WC1

AC85-265V, 8W

| | | |
|---|-------|---------------------------|
| ① | TL: | Product Type. |
| ② | 2G11: | 2G11 base type |
| ③ | XX: | WW-Warm White W- White |
| ④ | 8W: | The LED Power is 12W |
| ⑤ | C: | AC85-265V |
| ⑥ | 1: | Shell Type |

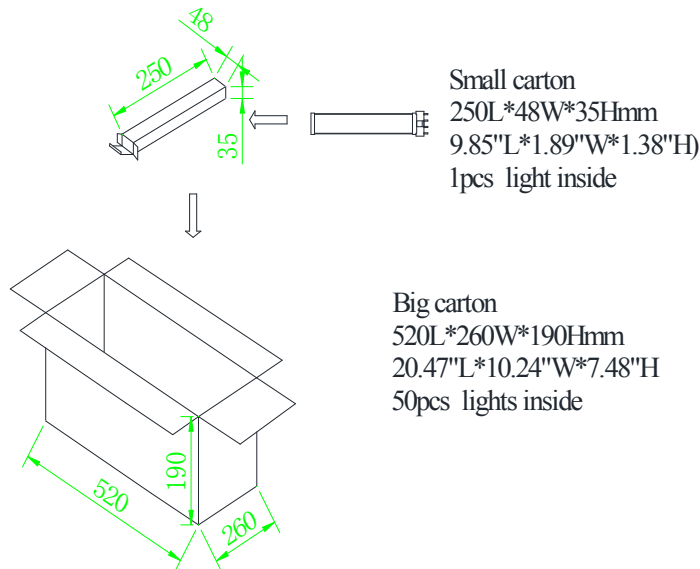
Product Dimensions:



Notes:

1. All dimensions unit in mm
2. Tolerances are ± 0.5 mm unless otherwise noted.

Package Dimension:



Installation Instructions and Warnings:

- Turn off power before inspection, installation, or removal.
- Not for use where exposed to the weather
- Do not use in totally enclosed fixtures.
- Not for use with dimmers.
- Please make sure to use a suitable adapter. Please mind the minimum load of your adapter.

The maximum input current is measured at maximum load: 0.3A@ 100~240VAC

Notes:

The part number, type, and specifications mentioned in this document are subject to future change and improvement without notice. Before production usage customer should refer to the latest datasheet for the updated specifications.